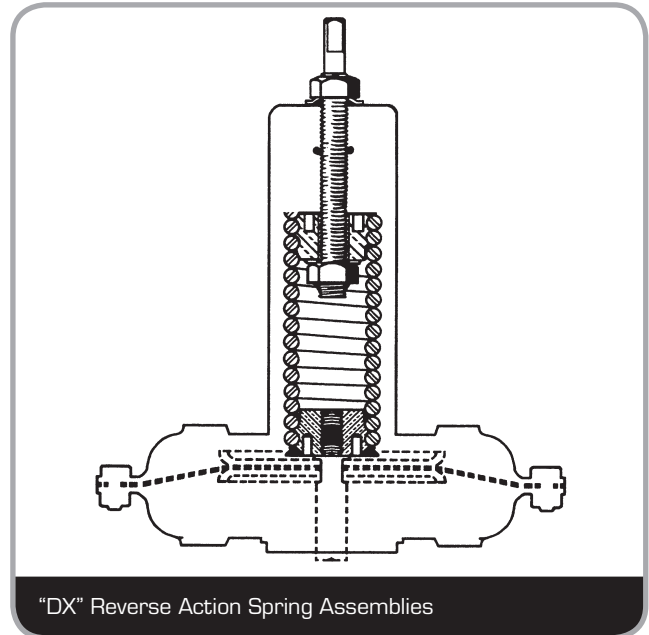


### DESCRIPTION

The majority of valves shown in this catalog are furnished as standard with direct-acting topworks; that is, air or gas pressure is applied below the diaphragm to open the valve and the spring pushes down to close the valve as pressure is removed.

Most valves can be fitted with a reverse acting topworks as an option. In this configuration the spring pulls up to hold the valve open until sufficient air or gas pressure is applied above the diaphragm to push down and close the valve.

The type of topworks contained within the diaphragm case can be determined in two ways. One is by the model number of the valve: D = Direct, DX = Reverse. The other method is to observe the shape of the adjusting screw at the top of the diaphragm case (Direct = Hex Head or Square Head Screw, Reverse = Round with Flats on Two Sides).



"DX" Reverse Action Spring Assemblies

### ORDERING INFORMATION

DX Field Conversion Kit Part No.	Maximum Spring Load	Spring Rate (lb/in.)	Normal Use
48006582	300	143	Most No. 20 Tops
48006583	512	313	Most No. 50 and 80 Tops
48011533	604	149	Series 454, 455 6" Valves
48012438	604	149	Series 438 Valves