

### DESCRIPTION

The **INVALCO Models CMEASX** utilize a stainless steel ball-type float and an explosion-proof Micro Switch to provide positive electrical switch contact closure for control of liquid level. An override feature permits adjustment of set points without disturbing process level.

### FEATURES

Adjustable span allows for pump up and pump down control. Easy-to-set desired level detection point. Operation override allows for the adjustment of set points without disturbing process level. Steel Body provides long life, reducing cost of ownership. Over 35 years of proven field service demonstrates product reliability.

### OPTIONS

NACE adaptable for use in harsh, corrosive service.

### SPECIFICATIONS

#### Float

Size: 2" diameter x 10" long

Material

304 Stainless

Working Pressure: 300 psig. Working pressure of controller is limited by collapse pressure of float ball.

Temperature Limits: -20°F to 250°F maximum

#### Micro Switch

Contacts: Standard, SPDT 15 amps @ 125, 250, or 480 Vac; 1/2 Amp @ 125 Vdc; 1/4 Amp @ 250 Vdc.

Switch Housing: Explosion-proof

Approval: UL and CSA

### ORDERING INFORMATION

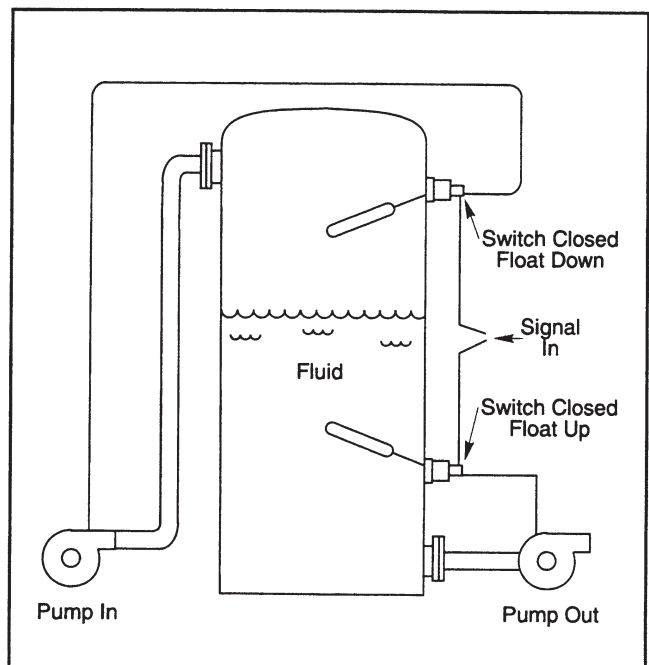
Catalog Model Number	Nominal Connection Size and Type	Materials		Part Number
		Body	Float	
CMEASX-203	2" NPT	Steel	304 S.S.	80003011

**To Order:** Specify part number and catalog model number.



CMEASX-203 Level Control

### Model CMEASX-203 Typical Installation

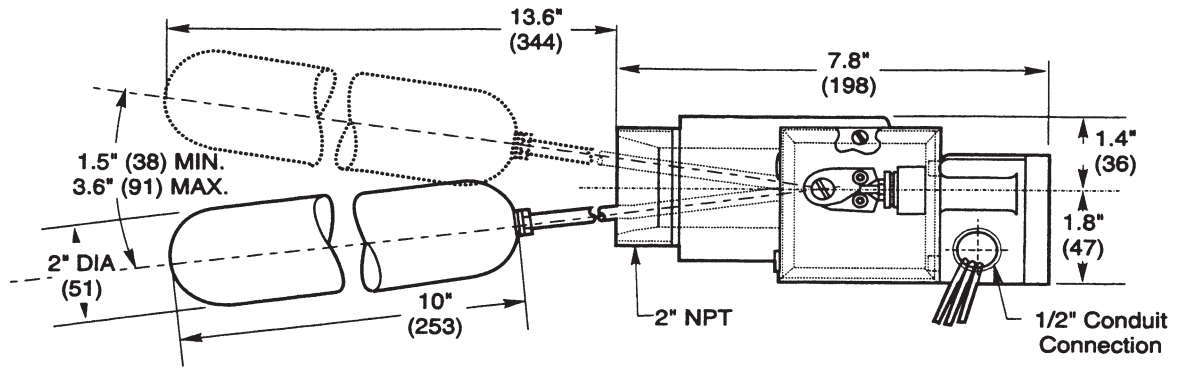


# NATCO CANADA

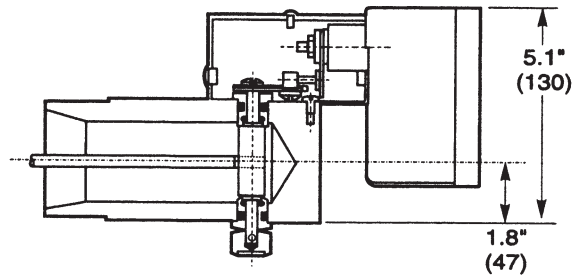
www.natcogroup.com • 1-800-661-6628

## DIMENSIONS

Inches (mm)



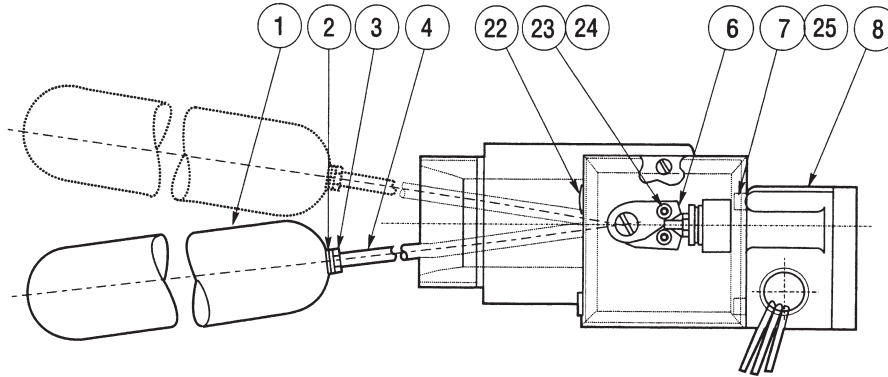
○ Red  
○ Black  
○ Blue  
Low Level



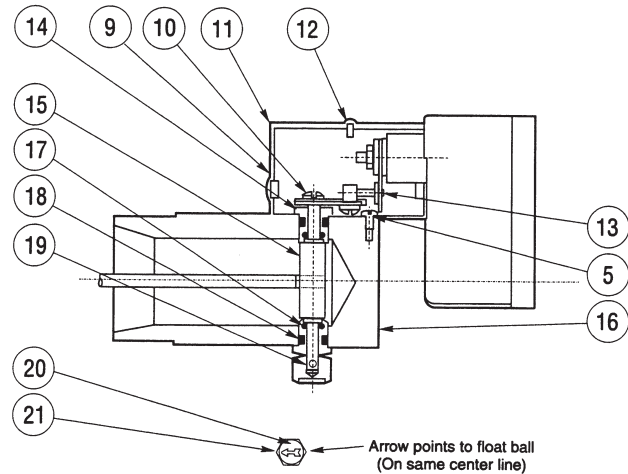
○ ← Arrow points to float ball  
(On same center line)

**Note:** Dimensions – Inches to the nearest tenth (millimeters to the nearest whole mm), each independently dimensioned from respective engineering drawings.

## PARTS



Item	Notes	Description	Qty.	Part No.
1	*	Float 2" x 10" 304 S.S.	1	45011711
2		Washer 1/4 Tooth Lock	1	65004363
3		Nut 1/4-20 Hex	1	65002175
4		Float Rod	1	45231080
5		Screw 6-32x1/4 BHMS	1	65005848
6		Arm Assembly	2	79107142
7		Screw 10-32 x 1/4 SHCS	2	65005945
8	*	Micro Switch	1	33100542
9		Housing	1	45013462
10		Screw 10-32 x 1/4 BHMS	1	65007905
11		Cover	1	45013436
12		Screw 8-32 x 1/4 BHMS	2	65007856
13		Micro Switch Arm Assembly	1	48013295
14		Stuffing Box	2	45013459
15		Shaft	1	45013458
16		Body, 2" NPT (CMAS-203)	1	45013463
17	*	O-Ring BUN-010-90	2	67101327
18	*	O-Ring BUN-110-90	2	67101532
19		Pin	1	79006139
20		Position Indicator	1	45013437
21		Operation Check Knob	1	45013460
22		Hole Plug	2	46015996
23		Screw 8-32 x 5/16 BHMS	2	65007858
24		Spacer	2	46002529
25		Washer #10 Lock	2	65006945



\*Recommended Spare Parts