

DESCRIPTION

Here at Natco, we develop, manufacture and supply a variety of gaskets in many materials for numerous types of vessels and equipment. Natco gaskets are a high quality, cost effective solution in the event replacements gaskets for vessels and other various types of equipment are required.

For any Natco built vessels if provided with vessel information such as a CRN, drawing, shop order or serial number we will be able to pull up the data for that specific vessel and supply the gaskets that are required for that unit.

Natco also offers custom cut gaskets, given the precise measurements and desired material; a custom cut gasket can be constructed. The following pages are diagrams of gaskets and the required measurements needed to effectively construct a custom cut gasket.

***NO RETURNS ON CUSTOM CUT GASKETS**

Natco carries a broad range of gaskets and materials to accommodate high temperatures, sweet or sour service and other elements and environments. Some examples are:



Gasket Type

Manway Gaskets
 Fire Tube Gaskets
 Burner Gaskets
 Stack Gaskets
 Spiral Wound Gaskets
 Gasket Stripping
 Chime lap gaskets
 Fillet Door Gasket

*Additional varieties upon request.

Material

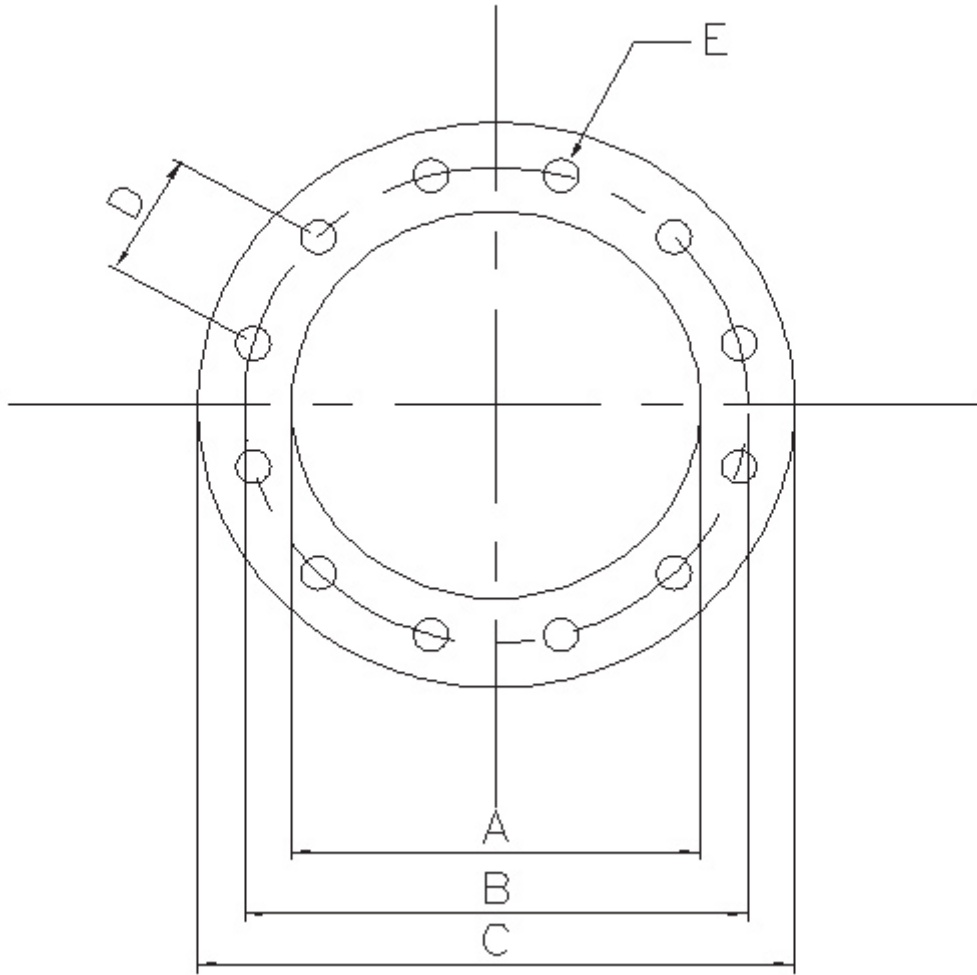
Neoprene
 Teflon
 Non-Asbestos
 Buna
 304 & 316 SS
 Viton
 Durlon

*Additional materials upon request

Applications

Treaters
 FWKO
 Flanges
 Heaters
 Scrubbers
 Separators
 Reboiler
 Thief Hatches

*Other additional applications



LEGEND

A= GASKET / FLANGE INSIDE DIAMETER.

B= GASKET / FLANGE BOLT CIRCLE DIAMETER.

C= GASKET / FLANGE OUTSIDE DIAMETER.

D= BOLT HOLE CENTER TO CENTER DISTANCE.

E= BOLT HOLE DIAMETER AND QUANTITY.

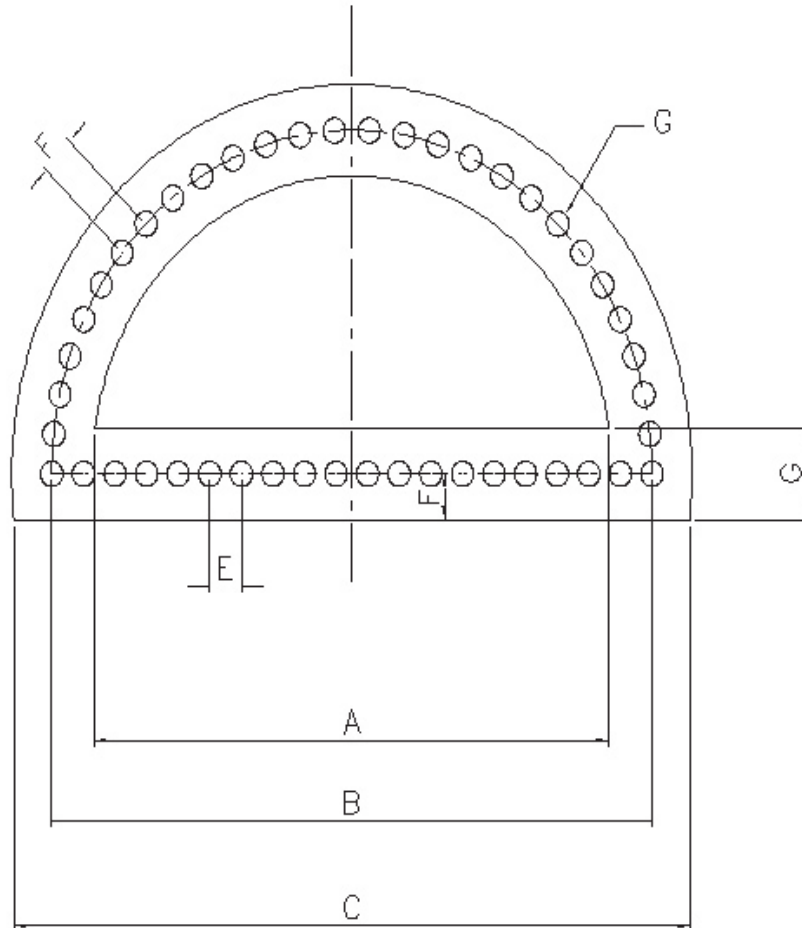
A= _____

B= _____

C= _____

D= _____

E= _____



LEGEND

A= GASKET / FLANGE INSIDE DIAMETER.

B= GASKET / FLANGE BOLT CIRCLE DIAMETER.

C= GASKET / FLANGE OUTSIDE DIAMETER.

D= GASKET / FLANGE OVER-ALL HEIGHT.

E= BOLT HOLE SPACING (ON STRAIGHT SECTION).

F= BOLT HOLE SPACING (ON CURVED SECTION).

G= BOLT HOLE DIAMETER AND QUANTITY.

A= _____

B= _____

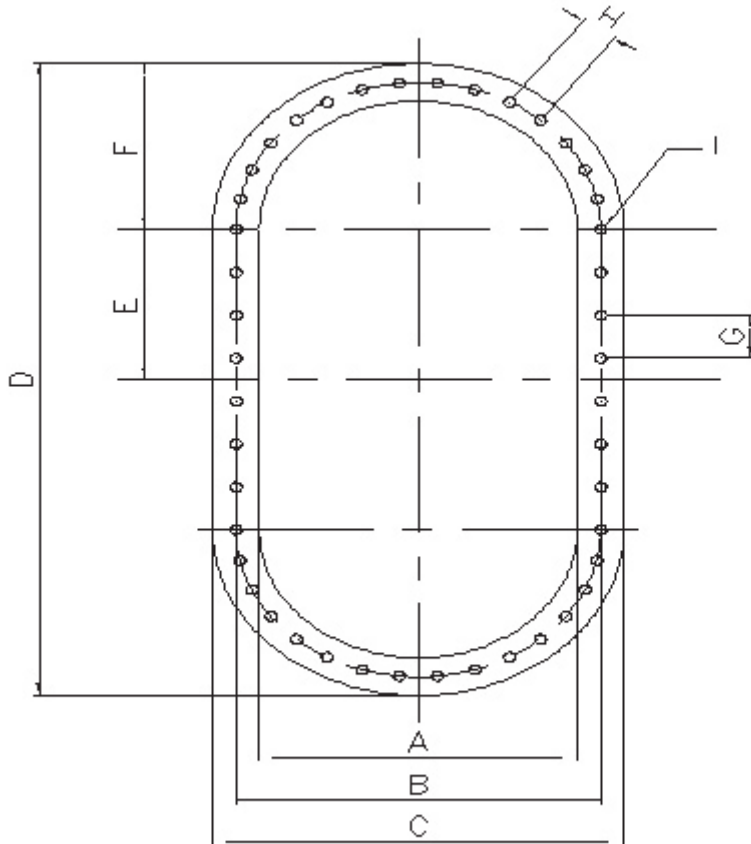
C= _____

D= _____

E= _____

F= _____

G= _____



LEGEND

A= GASKET / FLANGE INSIDE DIAMETER.

B= GASKET / FLANGE BOLT CIRCLE DIAMETER.

C= GASKET / FLANGE OUTSIDE DIAMETER.

D= GASKET / FLANGE OVER-ALL HEIGHT.

E= GASKET/ FLANGE CENTER TO CENTER DISTANCE.

F= GASKET/ FLANGE OUTSIDE RADIUS.

G= BOLT HOLE SPACING (ON STRAIGHT SECTION).

H= BOLT HOLE SPACING (ON CURVED SECTION).

I= BOLT HOLE DIAMETER AND QUANTITY.

A= _____

B= _____

C= _____

D= _____

E= _____

F= _____

G= _____

H= _____

I= _____