

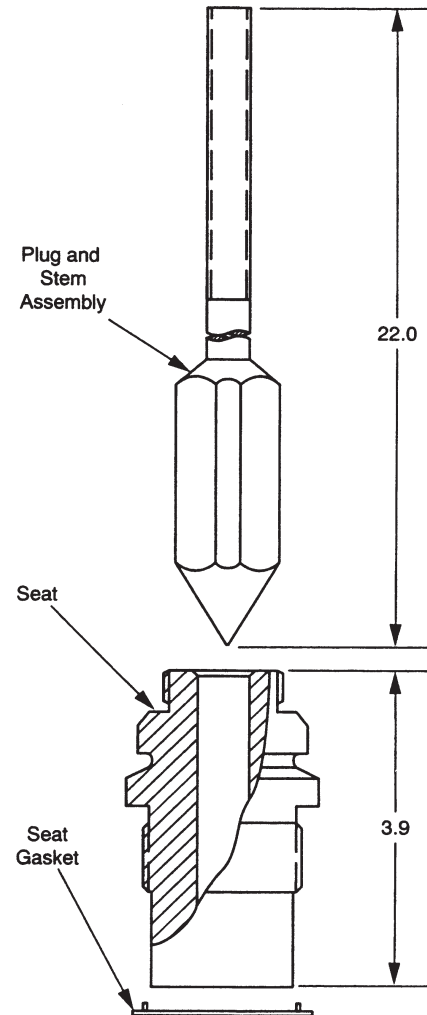
Series 546

ORDERING INFORMATION

The following trim sets fit INVALCO Model WDKLNSSA-265-546 and WDKLNBVA-265-546 Long Nose Diaphragm Chokes.

Size	Material	Part Number
1/2"	Polished 303 S.S. Stem	83000103
3/4"	Hardened 416 S.S.	83000104
1"	Plug and Seat	83000106

*The trim sets listed above contain the parts shown at right.
A 1-13/16" thin walled deep socket is required to install seat in body.



Series 548

ORDERING INFORMATION

The following orifices fit INVALCO Model KPSA-160-548, KPSA-230-548 and KPBVA-230-548 Positive Chokes.

Size	Material	Part Number
1/8"	316 S.S.	49002871
1/4"		49002869
3/8"		49002867
1/2"		49002866
5/8"		49002865

*It is recommended that O-Ring BUN-222-90, Part Number 6710872 be replaced when a new orifice is installed.

To Order: Specify Part Number

