

# **CHAPTER 25**

## Interface Relays

#### DESCRIPTION

The NUTECH model 20C is a two-way interface relay used in NUTECH systems where control of one first-out indicating group is required by one or more other groups.

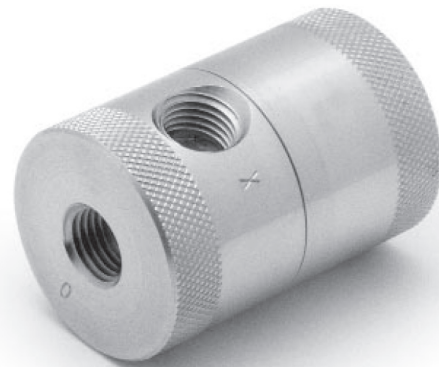
#### FEATURES

Simple design provides high reliability at low cost.

Screw-on rear cap assembly provides for simplified field maintenance.

#### SPECIFICATIONS

<b>Operating pressure range</b>	30-100 psig
<b>Material</b>	316 SS per ASTM A-276
<b>O-ring</b>	Viton®, Temp. range: -15°F to +400°F (std.) BUNA-N, Temp. range: -65°F to +215°F (opt.) HNBR, Temp. range: -40°F to +325°F (opt.)
<b>Length</b>	2.21"
<b>Diameter</b>	1.50"
<b>Connections</b>	1/4" FNPT
<b>Weight</b>	1.1 lb



Model 20C Two-Way Interface Relay

## Model 20C Two-Way Interface Relay

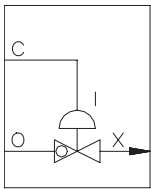
### ORDERING INFORMATION

Item	Qty.	Description	Part/Assy #
1	1	Body	N66521
2	1	Cap	N66522
3	1	Spool Sub-Assembly w/O-rings	N6653
4	1	O-ring	122
		Repair Kit (Note 1)	N2000

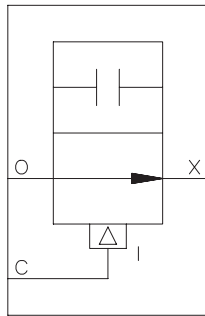
#### NOTES:

- Standard O-ring material is Viton®. BUNA-N is available as an option.

ISA

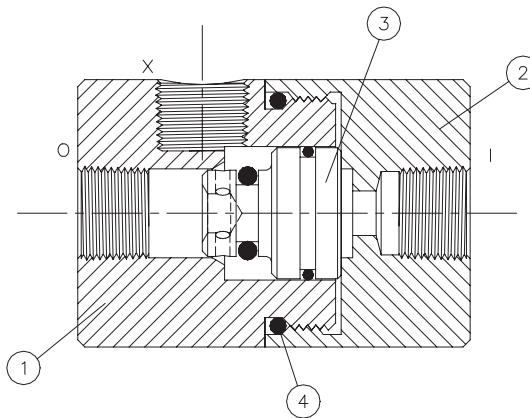


JIC



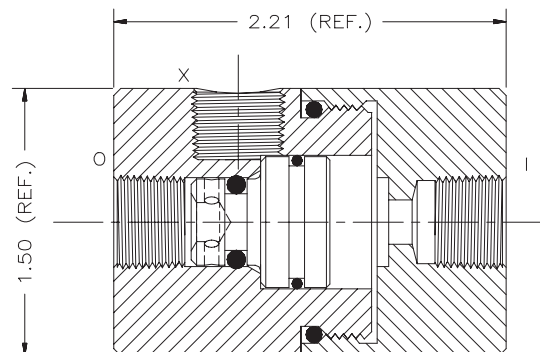
I = Inlet  
O = Outlet  
X = Exhaust

### Schematic Representations



**Exhaust Position**  
Scale – None

I = Inlet  
O = Outlet  
X = Exhaust



**In-Service Position**  
Scale – None