

CHAPTER 27

ESD Devices

DESCRIPTION

The NUTECH model 20ESD is a panel-mounted two-way manually operated emergency shutdown relay. It is ideally suited for use in manual ESD stations to “dump” pressure in the pneumatic control circuit.

FEATURES

Simple design provides high reliability at low cost.

Valve can be panel-mounted or mounted on handrail station (see 20ESD Emergency Shutdown Station).

Spool indentation prevents accidental operation due to vibration.

Snap-acting operation provides for “positive feel” when opening or closing valve.

SPECIFICATIONS

Maximum Operating pressure range	125 psig
Material	316 SS per ASTM A-276
O-ring	Viton®, Temp. range: -15°F to + 400°F (std.) BUNA-N, Temp. range: -65°F to + 215°F (opt.) HNBR, Temp. range: -40°F to +325°F (opt.)
Length	3.00”
Diameter	1.50”
Connections	1/4” FNPT
Weight	1.0 lb



Model 20ESD Emergency Shutdown Relay

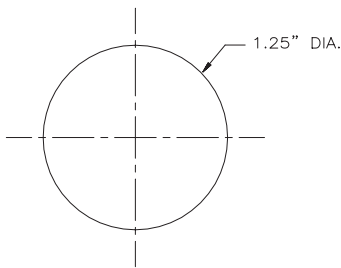
Model 20ESD Emergency Shutdown Relay

ORDERING INFORMATION

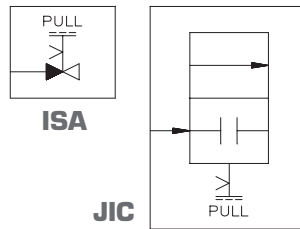
Item	Qty.	Description	Part/Assy #
1	1	Body	N51001
2	1	Spool	N51002
3	1	Panel Nut	N72697
4	1	O-Ring	012
5	1	O-Ring	109
6	1	Knob (Red)	K001
7	1	Retaining Ring	RR003
		Repair Kit (Note 1)	N2000

NOTES:

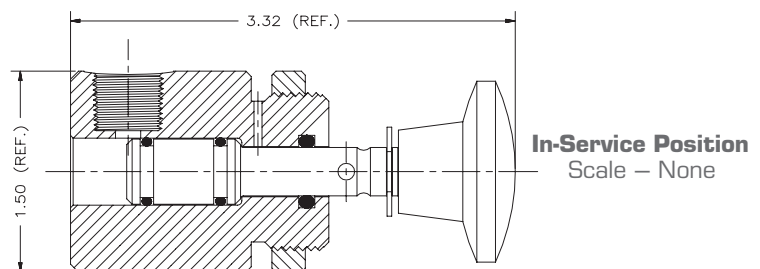
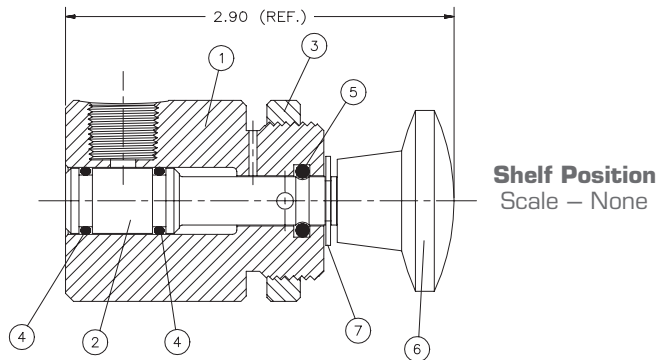
- Standard O-ring material is Viton®. BUNA-N is available as an option.



Panel Mounting Requirements



Schematic Representations



DESCRIPTION

The NUTECH model 20ESD emergency shutdown station is a remotely mounted twoway manually operated emergency shutdown relay. 20ESD Emergency Shutdown Stations are designed to “dump” pressure in the pneumatic control circuit.

FEATURES

Simple design provides high reliability at low cost.

Spool indentation prevents accidental operation due to vibration.

Snap-acting operation provides for “positive feel” when opening or closing valve.

SPECIFICATIONS

Maximum Operating pressure range	125 psig
Material	316 SS per ASTM A-276
O-ring	Viton®, Temp. range: -15°F to + 400°F (std.) BUNA-N, Temp. range: -65°F to + 215°F (opt.) HNBR, Temp. range: -40°F to +325°F (opt.)
Height	10.00”
Width	9.00”
Depth (in closed position)	4.00”
Connections	1/4” FNPT
Weight	6.0 lb



Model 20ESD Station Emergency Shutdown Station

Model 20ESD Station Emergency Shutdown Station

ORDERING INFORMATION

Item	Qty.	Description	Part/Assy #
1	1	ESD Station	N51001

NOTES:

1. Mounting holes to attach plate to 1-1/2" dia. or 2" dia. pipe are standard. If other mounting options are required, please specify when ordering.
2. Two (2) U-bolts are supplied with each station. Please specify size required when ordering.

